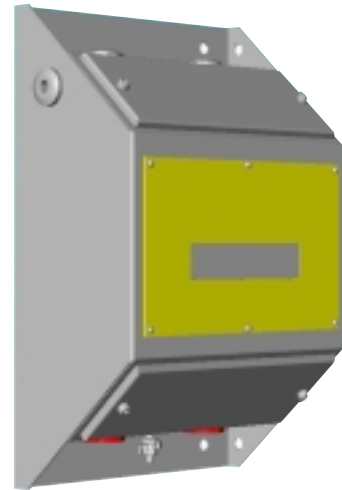




Exeq INTRINSICALLY SAFE ISOLATING RELAY UNIT

Four isolating relays housed in an Exeq enclosure for interfacing between Exi and Exd control currents.



FEATURES

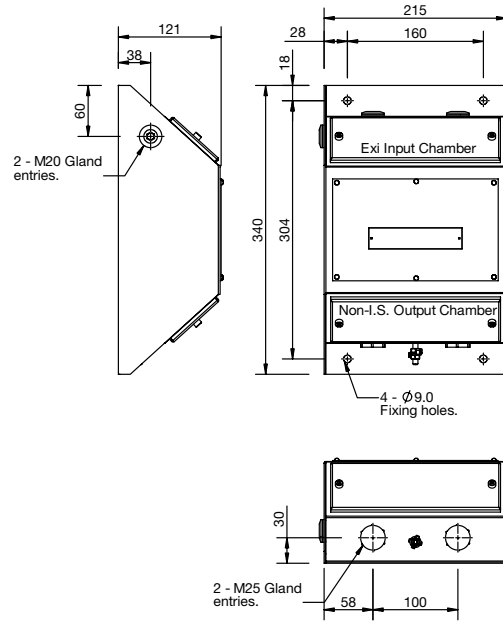
- The operating coils of the relays are Intrinsically Safe and the contacts are clearance compatible for switching non-intrinsically safe apparatus or devices in separate Exd enclosures.
- The connecting terminals of the relay are Exe standard.
- The relay coils can be rated for either 7.5V dc or 12V dc operation and each relay carries one changeover contact.
- Robust stainless steel housing couples directly to standard Trolex housings using a Trolex coupling bush.

TECHNICAL details

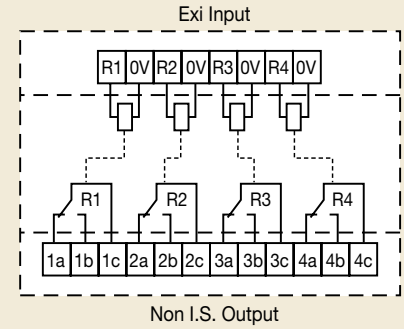
No. of Relays:	4.
Relay Contact Format:	One changeover per relay.
Relay Contact Rating:	5 Amp at 230V ac max per relay.
Relay Coil Voltage:	7.5v dc • 12V dc.
Relay Coil Current:	27mA max. 26mA max per relay.
Max. Operating Temperature:	-20°C...+55°C.
Storage Temperature:	-20°C...+70°C.
Humidity:	0...95% RH, non-condensing.
Vibration Limits/ Low Frequency:	0.25mm pk, sinusoidal vibration in the range 10Hz to 100Hz in 3 perpendicular planes.
Medium Frequency:	2g pk, sinusoidal vibration in the range 10Hz to 600Hz in 3 perpendicular planes.
Mechanical Shock:	1000 shocks of 40g minimum in 3 perpendicular planes.
Housing Material:	Stainless Steel.



DIMENSIONS
in mm.



Connections:



CERTIFICATION

The TX6661 Isolating Relay Unit is designed and approved to meet the ATEX directive (94/9/EC):

Sira 02ATEX3420



I M2 EEx eq I

ORDER
REFERENCE

■ TX6661 Exeq INTRINSICALLY SAFE ISOLATING RELAY UNIT.

INPUT VOLTAGE OPTIONS:

- 7.5V dc (109)
- 12V dc (101)



TROLEX LIMITED

Newby Road
Hazel Grove, Stockport,
Cheshire SK7 5DY, UK.

tel: +44 (0)161-483 1435

fax: +44 (0)161-483 5556

e-mail: sales@trolex.com

internet: www.trolex.com