

## INSERTION FLOW SWITCH

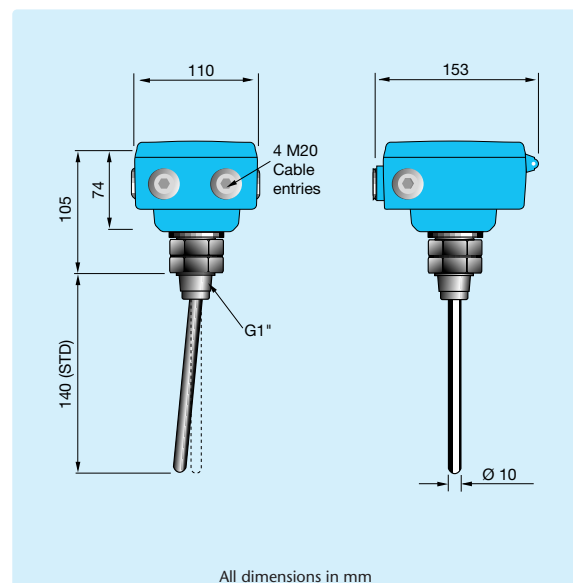
*Flow or flow-fail switch for insertion into pipes, conduits and ducts.*

- Low flow sensitivity – high static pressure suitable for liquids and gases.
- Magnetically coupled lever – no seals, no bellows, no springs. Easily removable for servicing.
- Flow protection and flow failure alarm for pumps, priming circuits, hydraulic systems, lubrication systems, cooling systems, fire fighting installations, process plants, petrochemical plants.
- 360° swivel coupling for simple installation and on-site adjustment of flow switching point.


**TX6001**


### **Technical Details**

Ambient Temperature Limits:	-10...130°C.
Housing Material:	Stainless steel filled Polyamide 6.
Body Material:	Stainless steel 316 (PTFE to special order).
Protection Classification:	Dust and waterproof to IP66.
Electrical Connections:	4mm barrier terminals.
Nett Weight:	2Kg.
Max. Working Pressure:	150 bar (2250psi) with standard "T" piece 10 bar (150psi).
Proof Pressure:	300 bar (4500psi).
Flow Switching Point with water at 20°C:	1m/sec on rising flow with standard 10mm diameter lever.
Set Point Hysteresis:	-2% of set point on falling flow.
Maximum Flow:	Limited only by the capacity of the pipe.
Process Connection:	G1" (also available with most standard mounting bush sizes and BS or ISO flange on request).



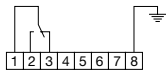
## Electrical Details

Magnetic Reed Contacts:

230V ac, 1 Amp, 25 Watts.

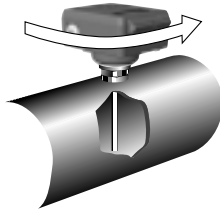
N.B. Contact protection is recommended to ensure that these instantaneous ratings are not exceeded during peak in-rush or surge conditions. Our Technical Applications Department will be pleased to assist with circuit applications.

CONTACTS SHOWN IN NO-FLOW CONDITION



## Adjustable Range

The flow switching point can be increased by shortening the operating lever. Alternatively the swivel coupling on the base of the housing allows the body of the switch to be rotated on its axis to any 360° rotation – in line with the flow for maximum sensitivity or any oblique position for reduced sensitivity.



## Order Reference

### TX6001 INSERTION FLOW SWITCH.

*Please specify additional information:*

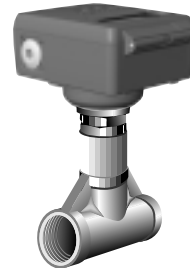
#### LEVERS:

Rod Lever	(11)
Paddle Lever	(12)

#### MOUNTING:

G1" Male	STD	(51)
G1" Female	'T' Piece	(52)

*'T' pieces are also available in other sizes (please specify).*



**NOTE:** When used with the standard 'T' piece, the maximum working pressure is 10 bar. Higher pressure versions are available on request.