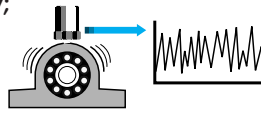


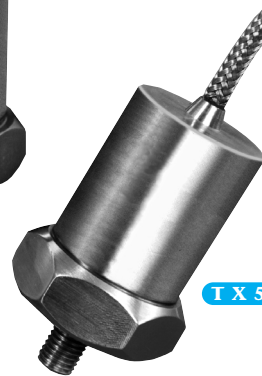
## VIBRATION SENSOR

*High accuracy sensor with ac frequency output signal for precision vibration measurement.*

- ac analogue output of vibration level (g).
- High accuracy conditioned 100mV/g output.
- Low cost vibration condition monitoring for general plant duty; motors, pumps, gearboxes, compressors, rotating machinery, machine running/stopped.
- Single hole M8 or Quickfit mounting.
- Certified Intrinsically Safe to Euronorm Standards.



TX5633.12.21

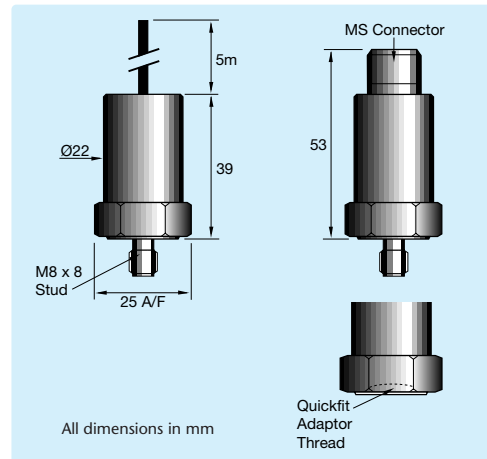


TX5633.11.21

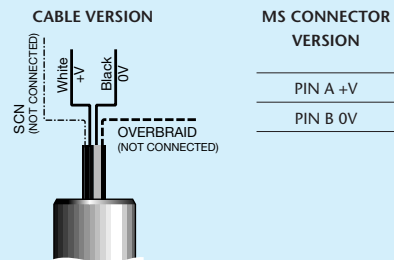


### Technical Details

Frequency Response:	1Hz...10kHz (3dB points).
Sensitivity:	100mV/g (nominal @ 80Hz).
Mounted Resonance:	18kHz (nominal).
Operating Temperature:	-25...140°C.
Sensing Principle:	Piezo-electric.
Housing Material:	Stainless steel.
Protection Classification:	IP67.
Mounting:	M8 x 8mm stud or Quickfit.
Electrical Connections:	5m single core co-axial cable insulated with screen and overbraid armour or M.S. connector.
Supply Voltage:	12V dc.
Supply Current:	0.5mA...8mA.
Ex Certification:	EEx ia I



### Connections



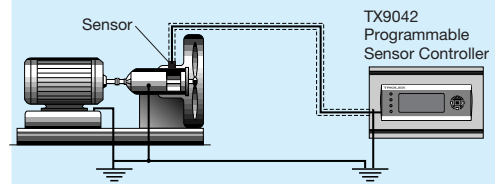
### NOTE: SCREEN IS ISOLATED FROM SENSOR METALWORK

In order to avoid electrical pickup through the case of the sensor from the machine being monitored, the machine should be properly earthed in compliance with local regulations. If a good earth is not possible, the sensor and the cable overbraid should be electrically isolated from the machine.

The screen of the cable should be connected to earth at the monitoring equipment.

### IT SHOULD NOT BE EARTHED AT THE MOTOR.

The cable overbraid should be left unconnected.



### Order Reference

**TX5633 VIBRATION SENSOR.** ac Output. Ex Group I.

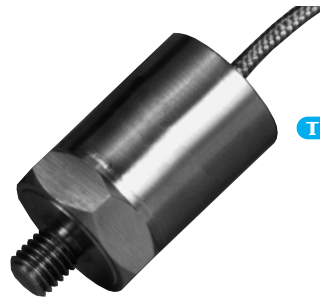
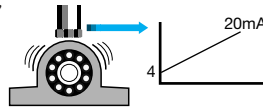
#### Options:

CABLE	(11)
CONNECTOR	(12)
M8 STUD	(21)
QUICKFIT	(22)

## VIBRATION SENSOR

*Compact sensor with a conditioned output signal for general purpose machine monitoring.*

- Analogue output of vibration represented as acceleration or velocity.
- Fully conditioned 4...20mA output signal interfaces directly with standard process monitoring equipment.
- Low cost vibration condition monitoring for general plant duty; motors, pumps, gearboxes, compressors, rotating machinery, machine running/stopped.
- Single hole M8 or Quickfit mounting.
- Certified Intrinsically Safe to Euronorm Standards.



**TX5634.21**



### Technical Details

	TX5634	TX5635	TX5636	TX5637	TX5638
Mode:	Acceleration.			Velocity.	
Measuring Ranges:	1, 2, 5, 10 and 20g (rms).			10*, 20, 25, 50, and 100mm/s (rms).	
Maximum Vibration:	50g (peak).				
Frequency Response: (3dB points)	2Hz...10kHz.			2Hz...1kHz.	
Mounted Resonance:	18kHz (nominal).				
Operating Temperature:	-25...80°C (Standard), -25...125°C (Optional).				
Sensing Principle:	Piezo-electric.				
Housing Material:	Stainless steel.				
Protection Classification:	IP67.				
Mounting:	M8 x 12mm stud or Quickfit.				
Electrical Connections:	5m, 2 core cable PVC insulated with screen and overbraided armour.				
Supply Voltage:	10...32V dc.				
Output:	4...20mA (loop-powered).				
Max. Load Impedance:	600 ohms.				

\*Not available for TX5637.

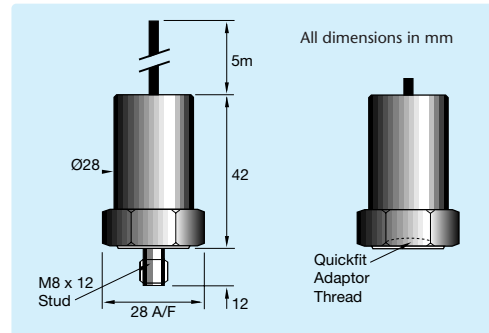
### Order Reference

- TX5634** VIBRATION SENSOR. Acceleration. Ex Group II.
- TX5635** VIBRATION SENSOR. Acceleration.
- TX5636** VIBRATION SENSOR. Acceleration. Ex Group I.
- TX5637** VIBRATION SENSOR. Velocity. Ex Group II.
- TX5638** VIBRATION SENSOR. Velocity.

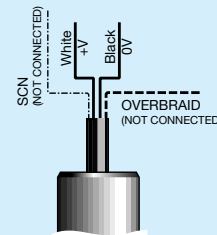
**Additional information: Please advise measuring range required.**

#### Options:

M8 STUD	(21)
QUICKFIT	(22)



#### Connections



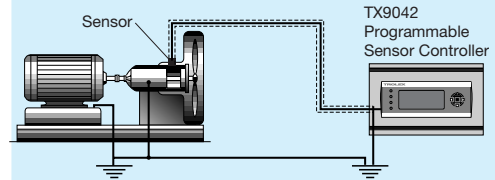
#### NOTE: SCREEN IS ISOLATED FROM SENSOR METALWORK

In order to avoid electrical pickup through the case of the sensor from the machine being monitored, the machine should be properly earthed in compliance with local regulations. If a good earth is not possible, the sensor and the cable overbraid should be electrically isolated from the machine.

The screen of the cable should be connected to earth at the monitoring equipment.

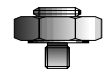
#### IT SHOULD NOT BE EARTHED AT THE MOTOR.

The cable overbraid should be left unconnected.

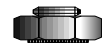


### Accessories

- TX5630.11** QUICKFIT. M8 Adaptor.



- TX5630.12** QUICKFIT. Adhesive Adaptor.



- TX5630.13** QUICKFIT. Magnetic Adaptor.

