

SURFACE THERMOSTAT

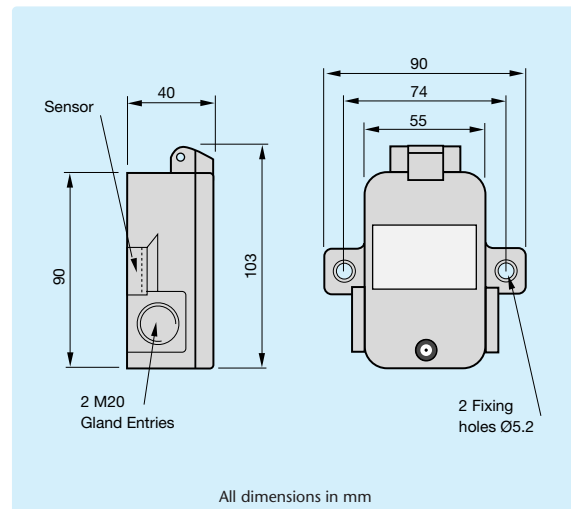
Adjustable set point output contact.

- Monitors surface temperature on housings, machinery, vessels, castings, containers, electrical equipment, pipes, hydraulic systems, etc.
- Temperature sensitive plate in the base of the housing gives fast temperature response.


TX2010

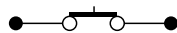

Technical Details

| | |
|-----------------------------|------------------------------------|
| Set Point Range: | 0...80°C or 20...180°C. |
| Hysteresis: | 8°C. |
| Accuracy: | ±5°C. |
| Set Point Adjustment: | Dial calibrated in °C. |
| Ambient Temperature Limits: | -20...200°C. |
| Housing Material: | Glass reinforced polyester. |
| Sensing Plate Material: | Copper. |
| Sensing Principle: | Differential expansion thermostat. |
| Protection Classification: | Dust and waterproof to IP65. |
| Electrical Connections: | 4mm stud terminals. |
| Nett Weight: | 300g. |



Electrical Details

Contacts: Normally closed.
Open on rising temperature.



Contact Rating: 230V ac, 5 Amps.

Order Reference

TX2010 SURFACE THERMOSTAT.
0...80°C.

TX2010.01 SURFACE THERMOSTAT.
20...180°C.