

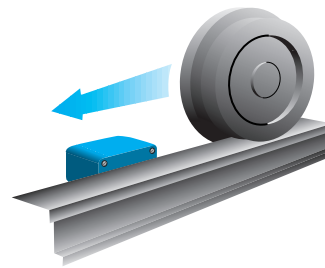
# MAGNETIC TRACK SWITCH

*Heavy duty proximity switch actuated by metal or magnet for track mounting.*

- Isolated magnetic reed output contacts – no power supply necessary.
- Integral terminal box with large terminals suitable for extreme working conditions.
- Large operating distance – adjustable sensitivity.

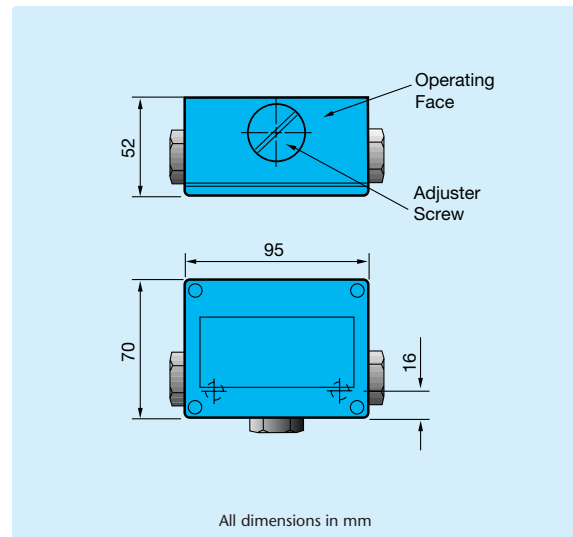
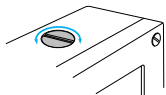


**TX1042**



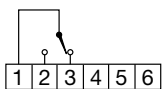
## Technical Details

Temperature Limits:	-20...100°C.
Protection Classification:	IP67.
Operating Distance:	25mm with Metal. 80mm with TX1080 Magnet.
Sensing Principle:	Magnetic reed contact with integral magnetic circuit.
Housing Material:	Gunmetal.
Electrical Connection:	M4 barrier terminals.
Sensitivity Adjustment:	Sealed multi-turn screw adjusts operating distance.
Latching Operation:	The switch can be adjusted to 'latch' in the 'ON' condition, when operated. 'RESET' with adjustment screw or small magnet.
Nett Weight:	2.0Kg.



## Electrical Details

Contact Rating:	500V dc max, 0.5A max, 30W max*
Contact Operation:	The contacts are suitable for direct switching of small inductive loads such as control relays.
	Contact protection must be provided to ensure that these instantaneous ratings are not exceeded, even during any peak in-rush or surge conditions which may be present in the circuit.
	*The product of voltage and current switched should not exceed the wattage rating.



## Order Reference

**TX1042** MAGNETIC TRACK SWITCH.