

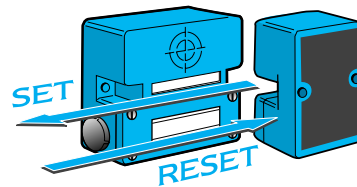
MAGNETIC PROXIMITY SWITCH

Heavy duty proximity switch actuated by operating magnet.

- Isolated magnetic reed output contacts – no power supply necessary.
- Integral terminal box. Dust and waterproof.
- Large operating distance.
- Direction sensitive, bi-stable operation.



TX1013

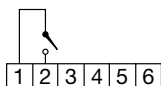


Technical Details

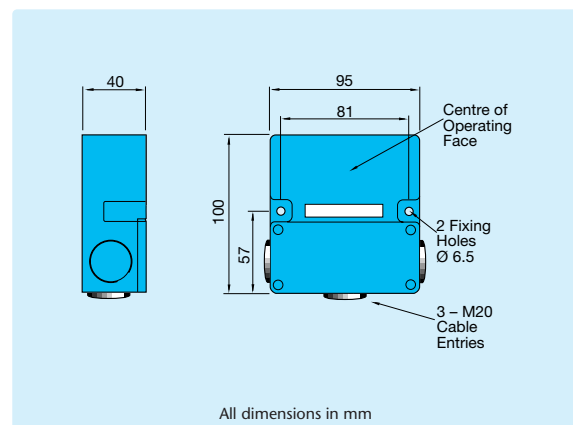
Temperature Limits:	-20 to 100°C.
Protection Classification:	Dust and waterproof to IP65.
Operating Distance:	80mm with TX1081 Magnet.
Sensing Principle:	Magnetic reed contact with integral magnetic circuit.
Housing Material:	Glass reinforced polycarbonate.
Electrical Connections:	M4 barrier terminals.
Contact Operation:	With TX1081.N Magnet contacts set when magnet moves from left to right. With TX1081.S Magnet contacts set when magnet moves from right to left.
Nett Weight:	1.0Kg.

Electrical Details

Contact Rating:	400V dc max, 3.0A max, 100W max*
Contact Operation:	The contacts are suitable for direct switching of small inductive loads such as control relays. Contact protection must be provided to ensure that these instantaneous ratings are not exceeded, even during any peak in-rush or surge conditions which may be present in the circuit. *The product of voltage and current switched should not exceed the wattage rating.



Changeover contacts available on request



Order Reference

TX1013 MAGNETIC PROXIMITY SWITCH.