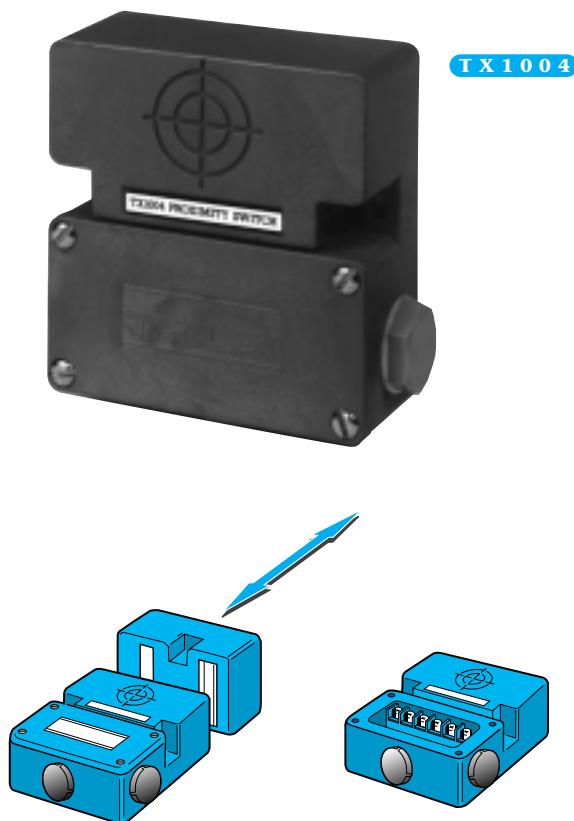
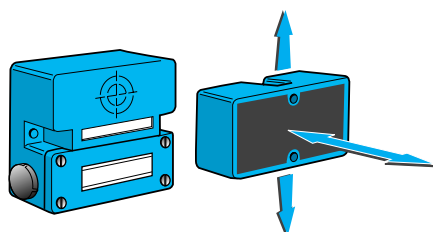


MAGNETIC PROXIMITY SWITCH

Heavy duty proximity switch actuated by operating magnet.

- Isolated magnetic reed output contacts – no power supply necessary.
- Integral terminal box with large terminals – dust and waterproof.
- Large operating distance.
- Choice of operating magnets.

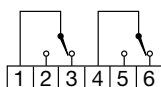


Technical Details

Temperature Limits:	-20 to 100°C.
Protection Classification:	Dust and waterproof to IP65.
Sensing Principle:	Magnetic reed contacts (2 pole changeover).
Operating Distance:	60mm nominal with TX1080 Magnet.
Housing Material:	Glass reinforced polycarbonate.
Electrical Connection:	M4 barrier terminals.
Nett Weight:	0.5Kg.

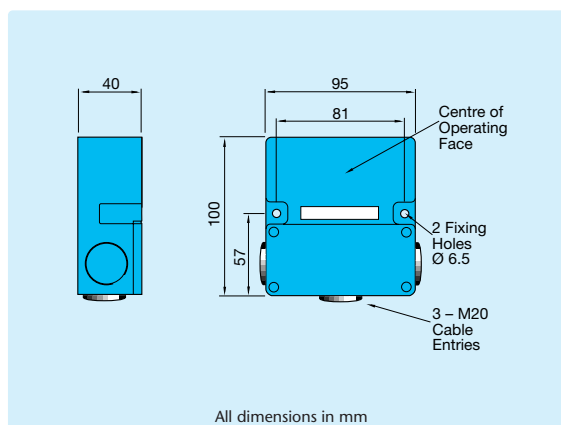
Electrical Details

Contact Rating:	500V dc max, 0.5A max, 30W max*.
Contact Operation:	The contacts are suitable for direct switching of small inductive loads such as control relays.



Contact protection must be provided to ensure that these instantaneous ratings are not exceeded, even during any peak in-rush or surge conditions which may be present in the circuit.

*The product of voltage and current switched should not exceed the wattage rating.



Order Reference

TX1004 MAGNETIC PROXIMITY SWITCH.