



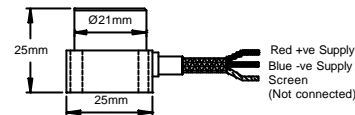
MTN/7200 Series

Two wire low frequency accelerometer

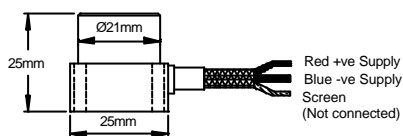
Applications

- Slow speed machines
- Bridge & building movement
- Ship monitoring

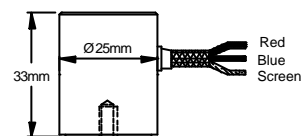
MTN/7200



MTN/7210



MTN/7220



Technical Specification

Sensitivity	4-20mA range, 12mA at 0g with sensitivity scaled to full range output, i.e. $\pm 5g = 1.6mA/g$ (other sensitivities available)
Frequency Response	Dependant on dynamic range ($\pm 5\%$) $\pm 1g$ – DC to 250 Hz, $\pm 10g$ – DC to 500 Hz $\pm 2g$ – DC to 250 Hz, $\pm 20g$ – DC to 700 Hz $\pm 5g$ – DC to 300 Hz, $\pm 50g$ – DC to 1 kHz
Resonant Frequency	$\pm 1g$ – 700 Hz, $\pm 10g$ – 850 Hz $\pm 2g$ – 700 Hz, $\pm 20g$ – 1500 Hz $\pm 5g$ – 800 Hz, $\pm 50g$ – 1800 Hz
Isolation	Base isolated
Operation Temp.	-20 °C to +85 °C
DC Supply	+10 Volts to +30 Volts (32 mA maximum)
Acceleration Limits	x 20 any direction
Case Material	Stainless steel
Weight	40g nominal
Cable (Standard)	5m of 2 core screened stainless steel overbraided PVC
Electrical Noise	10 μ g
Sealing	IP65

ORDER CODE PART No	MOUNTING	
MTN/7200 MTN/7210	SMALL FOUR POINT LARGE FOUR POINT	REQUIRE 4 x M3 BOLTS
MTN/7220 MTN/7220F MTN/7220Q	1/4 UNF SINGLE POINT 10-32UNF SINGLE POINT QUICK FIT SINGLE POINT	SEE OVER PAGE FOR BASE ADAPTERS

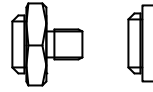
Mounting Adapters and Studs

Studs and Grub Screws



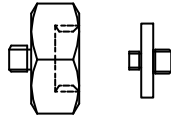
Male Studs		
Product Code	From	To
MS036	1/4" - 28 UNF	M6
MS039	1/4" - 28 UNF	10 - 32 UNF
MS067	1/4" - 28 UNF	M8
MS068	1/4" - 28 UNF	1/4" - 28 UNF
MS124	1/4" - 28 UNF	M10
MS132	1/4" - 28 UNF	M12

Quick Fit Adapters



Quick Fit (Q/F)		
Product Code	From	To
MS001	Q/F Male	Glue Base
MS002	Q/F Male	M8 Male
MS003	Q/F Male	M10 Male
MS004	Q/F Male	1/4" - 28 UNF Male
MS006	Q/F Male	M6 Male

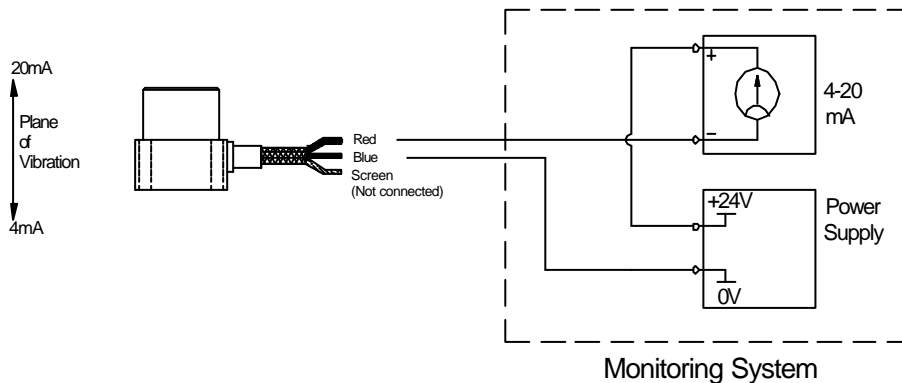
Other Adapters



Mounting Adapters		
Product Code	From	To
MS005	Q/F Male	1/4" - 28 UNF Female
MS007	Q/F Male	10 - 32 UNF Female
MS008	Q/F Male	M8 Female
MS011	1/4" - 28 UNF Male	Q/F Female
MS013	1/4" - 28 UNF Male	Glue Base
MS033	1/4" - 28 UNF Male	Q/F Female
MS038	Q/F Male	M8 Conical Male
MS061	1/4" - 28 UNF Male	10 - 32 UNF Male
MS079	1/4" - 28 UNF Male	Q/F Female
MS106	Q/F Male	M10 Female

Isolation		
Product Code	From	To
MS034	1/4" - 28 UNF Male	1/4" - 28 UNF Female
MS093	Q/F Male	M8 Male

System Connection



Note: When mounted horizontally all units will indicate a 1g offset due to gravity