



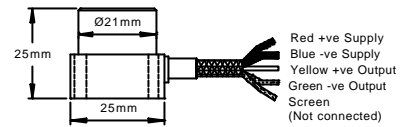
MTN/7100 Series

Accelerometer with DC response for strain gauge amplifiers

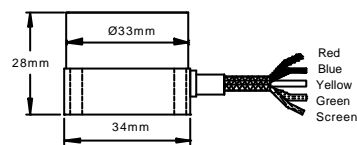
Applications

- Research & development
- Structural monitoring

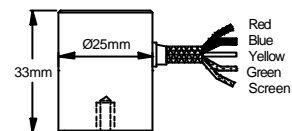
MTN/7100



MTN/7110



MTN/7120



Technical Specification

Sensitivity	0.6 – 20mV/g (dependent on range). Calibration data supplied
Frequency Response	Dependant on dynamic range ($\pm 5\%$) $\pm 1g$ – DC to 250 Hz, $\pm 10g$ – DC to 500 Hz $\pm 2g$ – DC to 250 Hz, $\pm 20g$ – DC to 700 Hz $\pm 5g$ – DC to 300 Hz, $\pm 50g$ – DC to 1 kHz
Resonant Frequency	$\pm 1g$ – 700 Hz, $\pm 10g$ – 850 Hz $\pm 2g$ – 700 Hz, $\pm 20g$ – 1200 Hz $\pm 5g$ – 800 Hz, $\pm 50g$ – 1800 Hz
Isolation	Base Isolated
Operation Temp.	-20°C to +85°C (extend range available up to 125°C)
DC Supply	5 Volts
Output Impedance	3000 Ohms
Acceleration Limits	x 20 any direction
Case Material	Stainless steel
Weight	40g nominal
Cable (Standard)	5m of 4 Core stainless steel overbraided PVC
Electrical Noise	10 μ g
Sealing	IP65

ORDER CODE PART No	MOUNTING	REQUIRES
MTN/7100	SMALL FOUR POINT	4 x M3 BOLTS
MTN/7110	LARGE FOUR POINT	SEE OVER PAGE
MTN/7120	¼" UNF SINGLE POINT	FOR BASE
MTN/7120F	10-32UNF SINGLE POINT	ADAPTERS
MTN/7120Q	QUICK FIT SINGLE POINT	

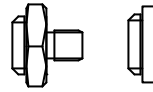
Mounting Adapters and Studs

Studs and Grub Screws



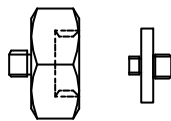
Male Studs		
Product Code	From	To
MS036	1/4" - 28 UNF	M6
MS039	1/4" - 28 UNF	10 - 32 UNF
MS067	1/4" - 28 UNF	M8
MS068	1/4" - 28 UNF	1/4" - 28 UNF
MS124	1/4" - 28 UNF	M10
MS132	1/4" - 28 UNF	M12

Quick Fit Adapters



Quick Fit (Q/F)		
Product Code	From	To
MS001	Q/F Male	Glue Base
MS002	Q/F Male	M8 Male
MS003	Q/F Male	M10 Male
MS004	Q/F Male	1/4" - 28 UNF Male
MS006	Q/F Male	M6 Male

Other Adapters

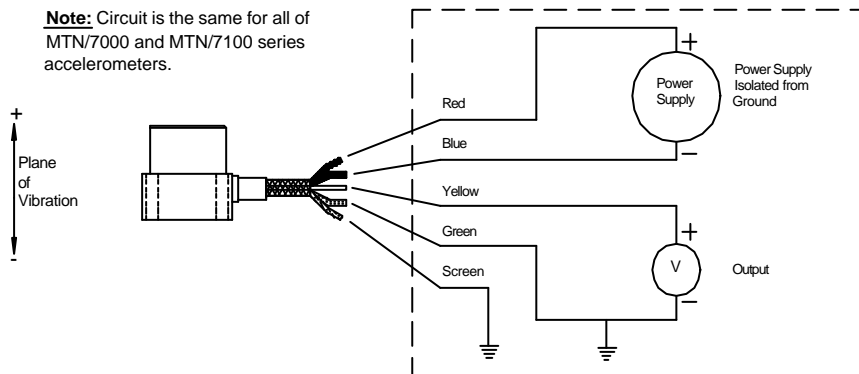


Mounting Adapters		
Product Code	From	To
MS005	Q/F Male	1/4" - 28 UNF Female
MS007	Q/F Male	10 - 32 UNF Female
MS008	Q/F Male	M8 Female
MS011	1/4" - 28 UNF Male	Q/F Female
MS013	1/4" - 28 UNF Male	Glue Base
MS033	1/4" - 28 UNF Male	Q/F Female
MS038	Q/F Male	M8 Conical Male
MS061	1/4" - 28 UNF Male	10 - 32 UNF Male
MS079	1/4" - 28 UNF Male	Q/F Female
MS106	Q/F Male	M10 Female

Isolation		
Product Code	From	To
MS034	1/4" - 28 UNF Male	1/4" - 28 UNF Female
MS093	Q/F Male	M8 Male

System Connection

Note: Circuit is the same for all of MTN/7000 and MTN/7100 series accelerometers.



Monitoring System

Note: When mounted horizontally all units will indicate a 1g offset due to gravity