

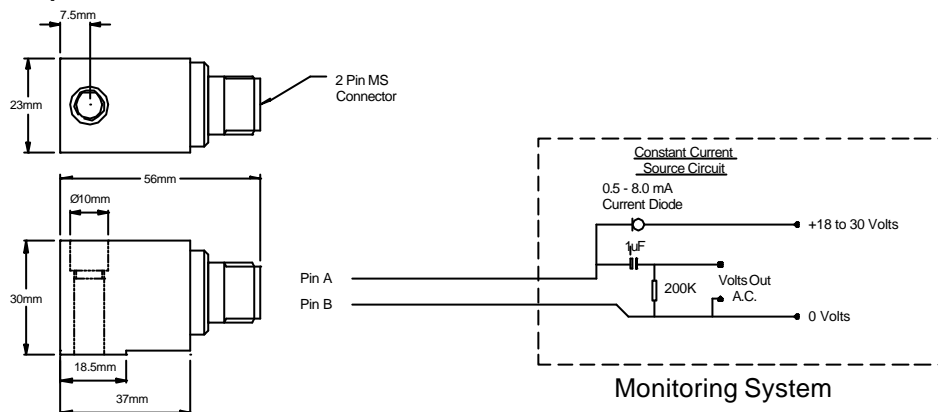


## MTN/1100SM8

Low profile side entry industrial accelerometer for restricted access installations

### Applications

- Paper Machinery
- General Industry
- Pumps, Fans, etc.
- Air Handling Units
- Machine Tools



## Technical Specification

Standard Sensitivity	100 mV/g $\pm$ 10% Nominal at 80 Hz
Frequency Response	2 Hz to 10 kHz $\pm$ 5% (-3 dB at 0.8 Hz)
Mounted Base Resonance	18 kHz (nominal)
Isolation	Base isolated
Dynamic Range	$\pm$ 80g
Transverse Sensitivity	Less than 5%
Electrical Noise	0.1 mg max
Current Range	0.5 mA to 8 mA
Temperature Range	-55 to 140 °C
Bias Voltage	12 volts DC nominal
Case Material	Stainless steel
Mounting Torque	8Nm
Mounting Bolt Provided	M8 x 28mm (Captured in body)
Weight	170 gms (nominal)
Sealing	IP67
Mating Connector	MTN/MH002
Options	Mating cable assemblies and other sensitivities.